

B type Battery Cabinet Installation Instruction

Contents

I. Summarize.....	1
II. Battery cabinet composing.....	1
III. Installation procedure.....	1
IV. Wiring diagrams for each battery cabinet.....	4

【Note】

Before operating, Please read User's Manual carefully to understand correct operation method of the equipment. Please retain properly after reading for future reference.

◆ Keep a good ventilation, guarantee a good heat radiation of the battery, please guarantee the distance more 1cm for the battery and the other battery.

◆ Assemble the battery pack according to the regular method and sequence In case of short battery circuit and lead to danger. Wiring must be tightly locked when installing battery case, it is prohibited that connecting to opposite pole, short circuit connecting, any contact of either wiring terminal or exposed wire end within the same battery, which will bring out damage of battery and harm to human body.

◆ Please connect wire according to the wiring diagrams for each battery cabinet.

◆ If the battery cabinet scheme the air switch, please notice close the air switch in order to avoid the UPS output abnormal when the line is abnormal. Cut off the air switch of

the battery cabinet in order to avoid the battery group short as maintenance UPS.

◆ Please check battery and wiring each year to avoid suddenness happening.

Notice: Please forgive that certain content of the manual maybe conflict with the actual product cause of the continual updating and enhancement of the product and the technology. Please consult with the local office if the up-to-date status of product updating need be known.

I .Summarize

1. B type battery cabinet is easy in installation and operation, with main types including B8 battery cabinet, B12 battery cabinet , B16 battery cabinet and B20 battery cabinet, amount which, B8 battery cabinet can hold 2 layers of batteries, B12 battery cabinet can hold 3 layers of batteries, while B16 can hold 4 layers of batteries and B20, 5 layers.

2. B type battery cabinet dimensions are as follows:

Type	Dimension (Width × Depth × Height) (mm)
B8	460×800×617
B12	460×800×906
B16	460×800×1180
B20	460×800×1454

II . Battery Cabinet composing

One set of battery cabinet normally includes:

Item	Nomenclature	Remarks
1	Battery cabinet	1set
2	Battery	According as UPS backup time
3	Battery cabinet wiring	1 set
4	B type battery cabinet installation instruction	1 copy
5	Wire clip - 3.6×200mm	2 pcs
6	Outlet ring Φ30	2 pcs
7	Breaker	If the battery cabinet output is twin wire, breaker is equipped. If the battery cabinet output is expansion head, breaker will not be equipped.
8	Battery cabinet switch connection piece	2 pcs
9	Hexagonal bolt M8×20	2 pcs
10	Spring washer Φ8	2 pcs
11	Galvanized washer Φ8	4 pcs
12	Nut M8	2 pcs
13	Screw M4×65TCTTHNi	4 pcs (NSC160/250 series)
	Screw M4×10TCTTHNi	2 pcs (DZ158 series)

Note: In general, switch should be configured only for the machine which capacity is above 8KVA.

III. Installation procedure

Now we take the example of placing 100Ah/12V battery (16 in number) in battery cabinet B16 to illustrate the installation of B type battery cabinet.

Step 1. If battery cabinet is to be equipped with switch, the switch should be installed first.

Installation procedure of DZ158 series breaker is as following:

- (1) Secure the battery cabinet switch connection piece onto the switch, clamp the switch on the switch fixture, Use M4×10 screws to secure the switch and fixture onto the switch closing plate, and then use M4×10 screws to secure the switch closing plate onto the rear plate of battery cabinet, as shown in Fig. 1:

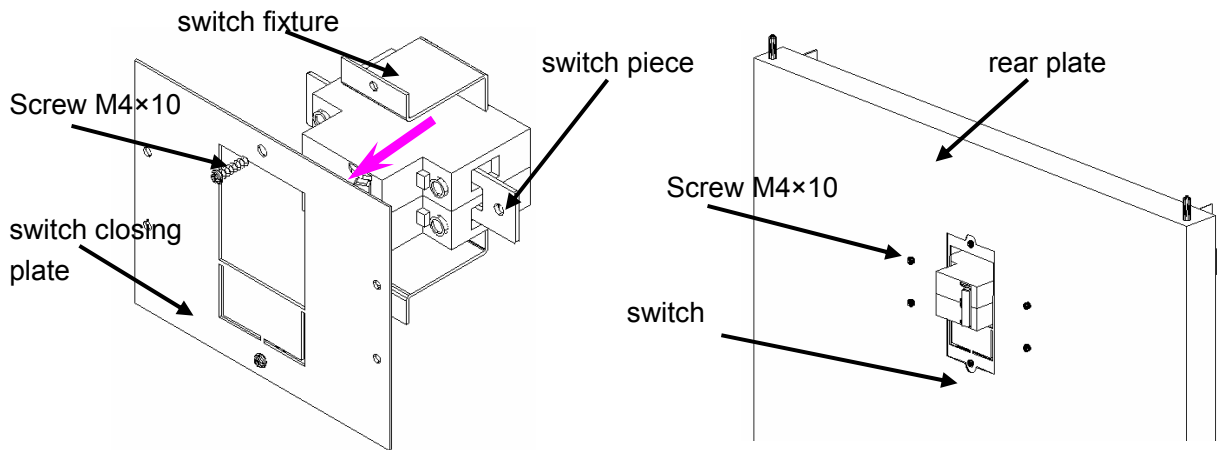


Fig. 1

Installation procedure of NSC160/250 series breaker is shown as following:

- (2) Secure the battery cabinet switch connection piece onto the switch, and use four pieces of screw M4x65 to through the rear plate and fix switch on switch closing plate as shown in Fig. 2 and Fig.3:

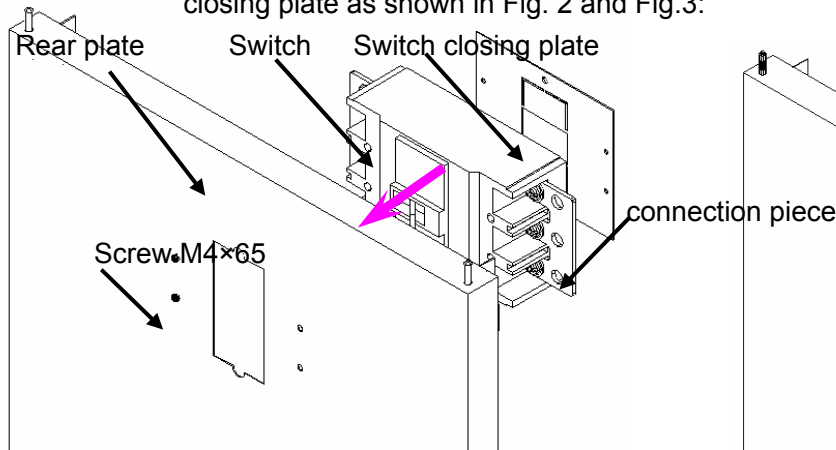


Fig. 2

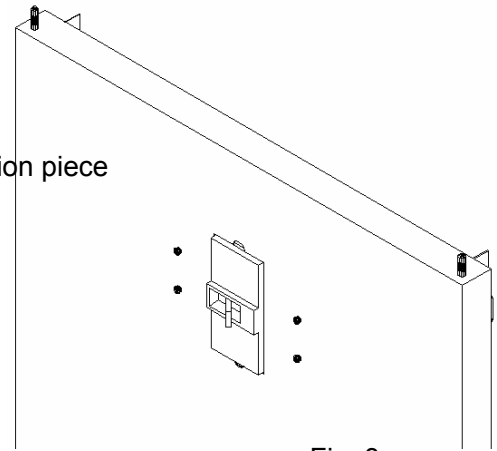


Fig. 3

Step 2. Lay the bottom plate, remove the fasteners on/around the plate: nuts and washers in Fig. 4

Locked the front/back stand plate tightly onto the cabinet with fastener screws in Fig. 5, Fig.6.

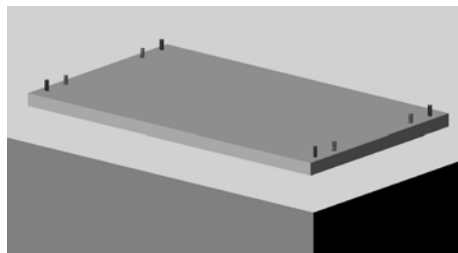
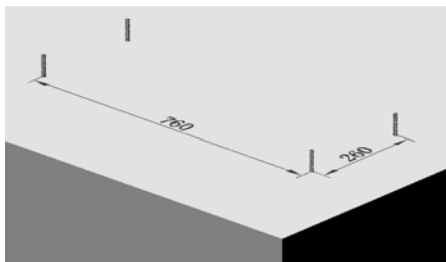


Fig. 4

Fig. 5

Fig. 6

Step 3. According to the provided wiring diagram and list, put the battery onto bottom plate of the cabinet, then wiring with the wire end locked on battery pole in Fig. 7, Fig. 8.

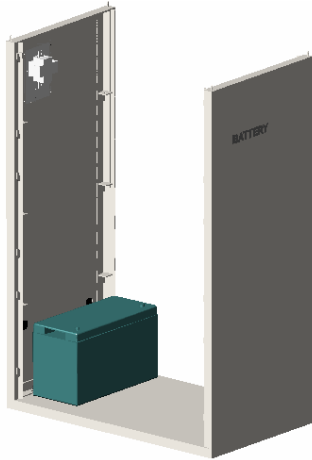


Fig. 7

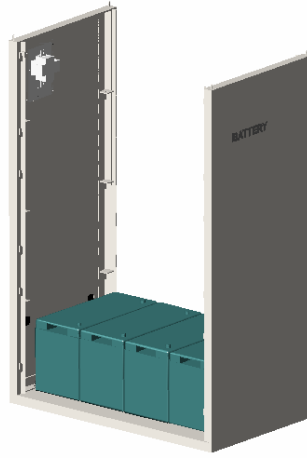


Fig. 8

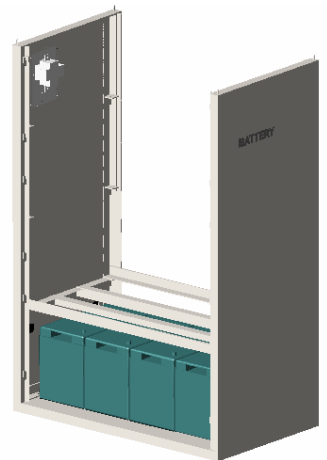


Fig. 9

Step 4. Assemble the second layer separator, as shown in Fig. 9.

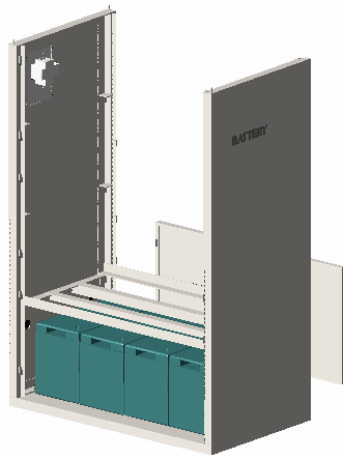


Fig. 10

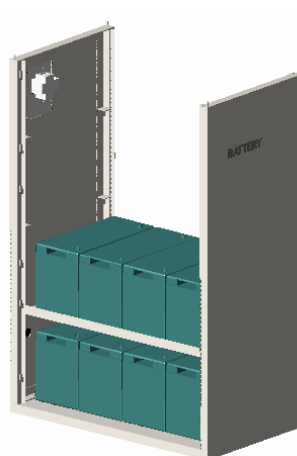


Fig. 11

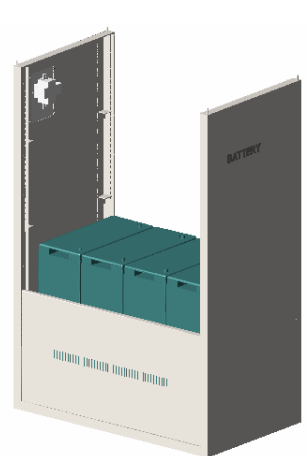


Fig. 12

Step 5. Cover the second layer of one spacer plate at the bottom, continue to install battery and perform wire connection according to the wiring diagram for specific battery cabinet type, and then mount the other spacer plate at the bottom, as shown in Fig. 10, Fig. 11 and 12.

Step 6. Cover the second layer of spacer plate then mount the second layer of side board at one side, as shown in Fig. 13.

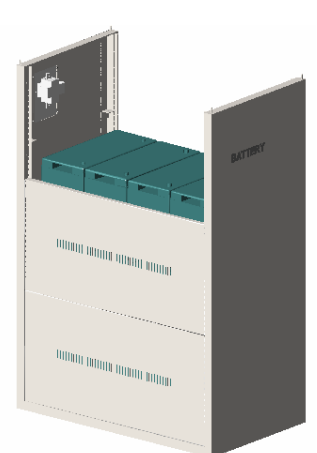
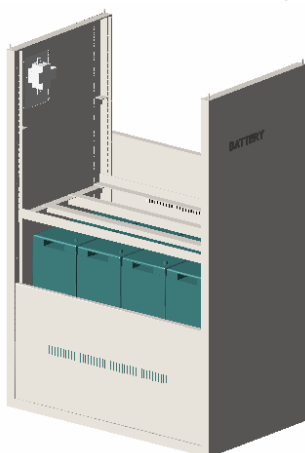


Fig. 13

Fig. 14

Fig. 15

Step 7. Mount the third and fourth layer of batteries as per the above methods, continue to install battery and perform wire connection according to the wiring diagram for specific battery cabinet type, as shown in Fig. 14, Fig.15, Fig.16, Fig.17 and Fig.18.

Step 8. Use M6 bolts to fixup clapboard of tip layer onto front-plate/back-plate.



Fig. 16

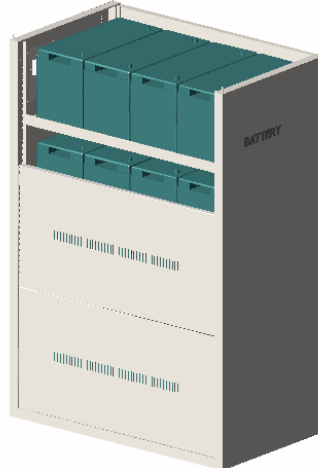


Fig. 17

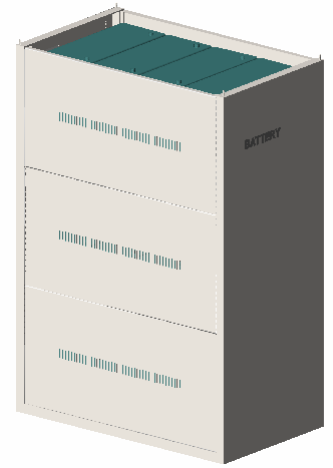


Fig. 18



Fig. 19

Step 9. cover the top cover, the battery cabinet installation is thus completed, as shown in Fig.19.

IV. Wiring diagrams for each battery cabinet

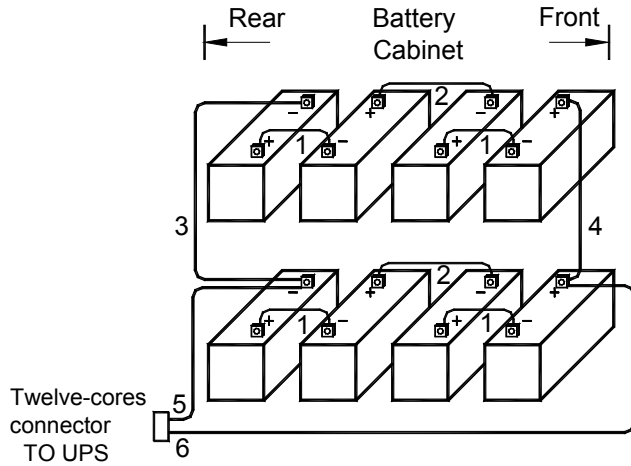
(1). Wiring connection of battery cabinet are as follow:

Caution:

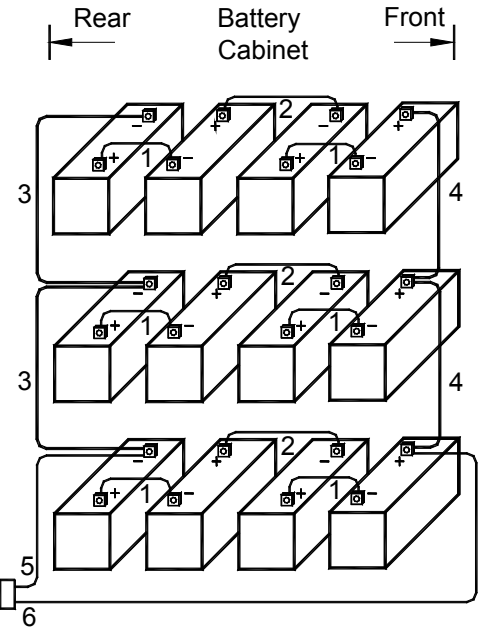
1. Please perform wire connection according to the wiring diagram for battery cabinet type with corresponding description.
2. Each wire is marked with wire number, please connect in strict accordance with the wire number and wiring diagram.
3. Wire connection must be secure. Battery +/- pole short-circuit is strictly forbidden, and +/- pole must not be wrongly connected; it's strictly prohibited to touch any two wiring terminals of any battery or the exposed end of connecting wire at the same time.

The wiring diagrams for each battery cabinet are as follows: (Hereinafter, the suffix A means that when using 100Ah/12V battery of YUASA and some other types, the copper

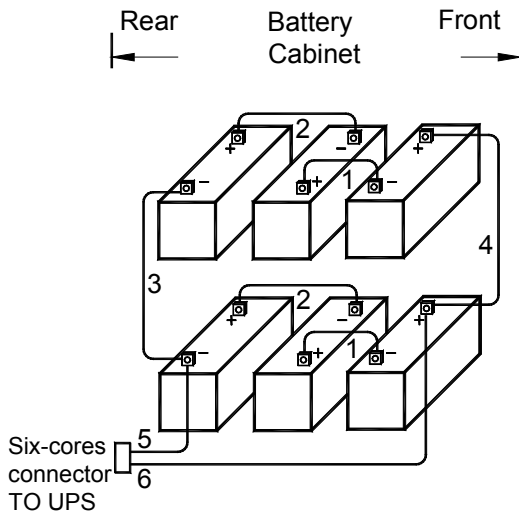
connector is of specially-made 100A type, and its wiring is the same as those without suffix A)



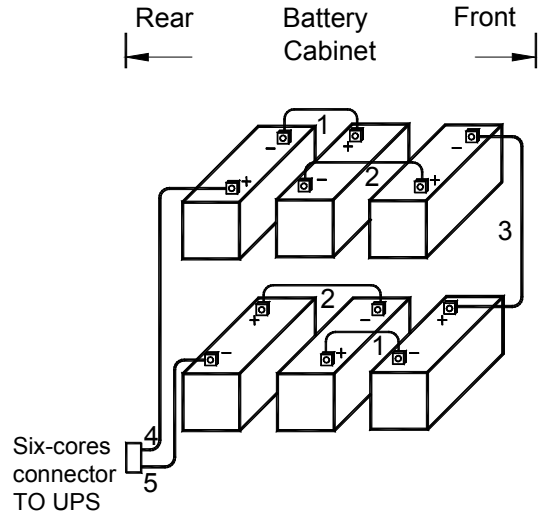
KIB100483G2(A) Wiring connection



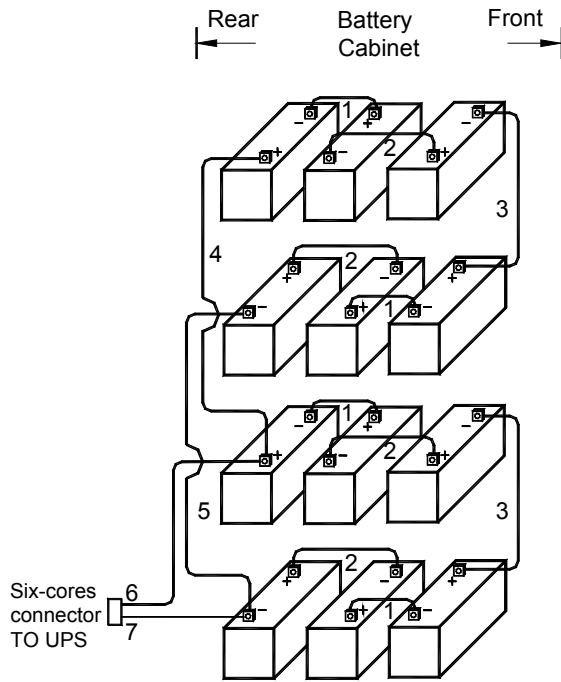
KIB100483G3(A) Wiring connection



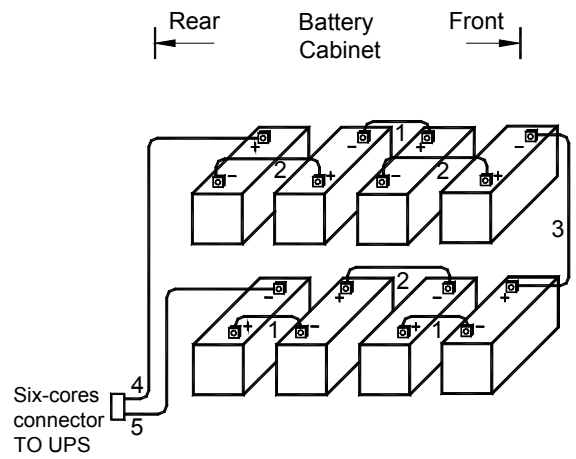
KRB10036G2(A) Wiring connection
connection



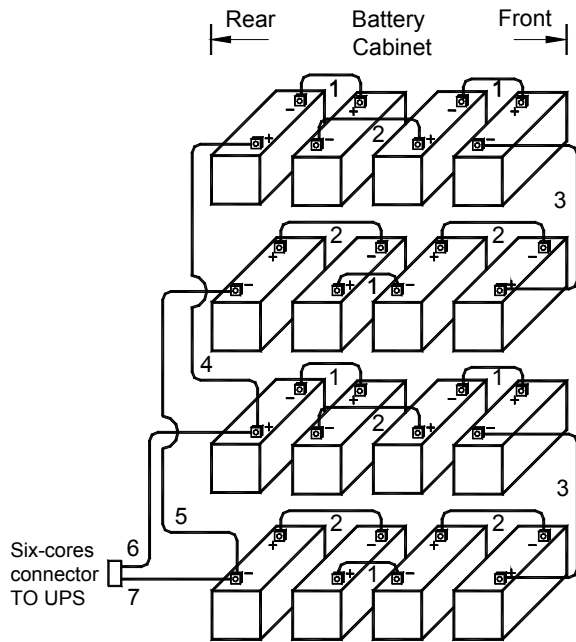
FRB6572G, FRB10072G(A) Wiring connection



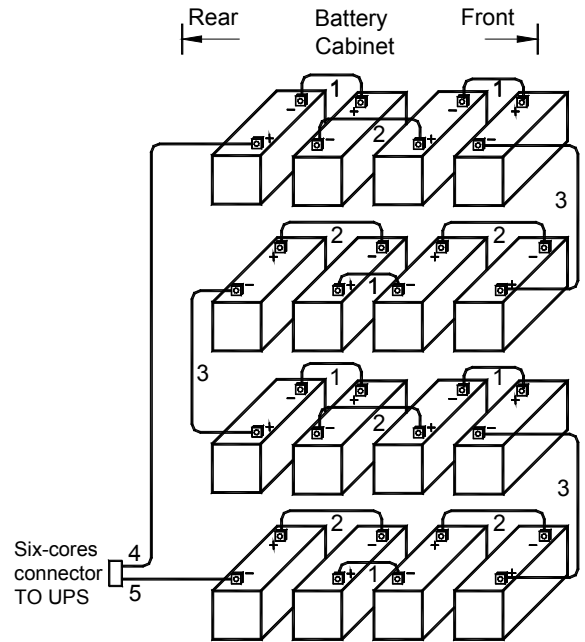
FRB10072G2(A) Wiring connection connection



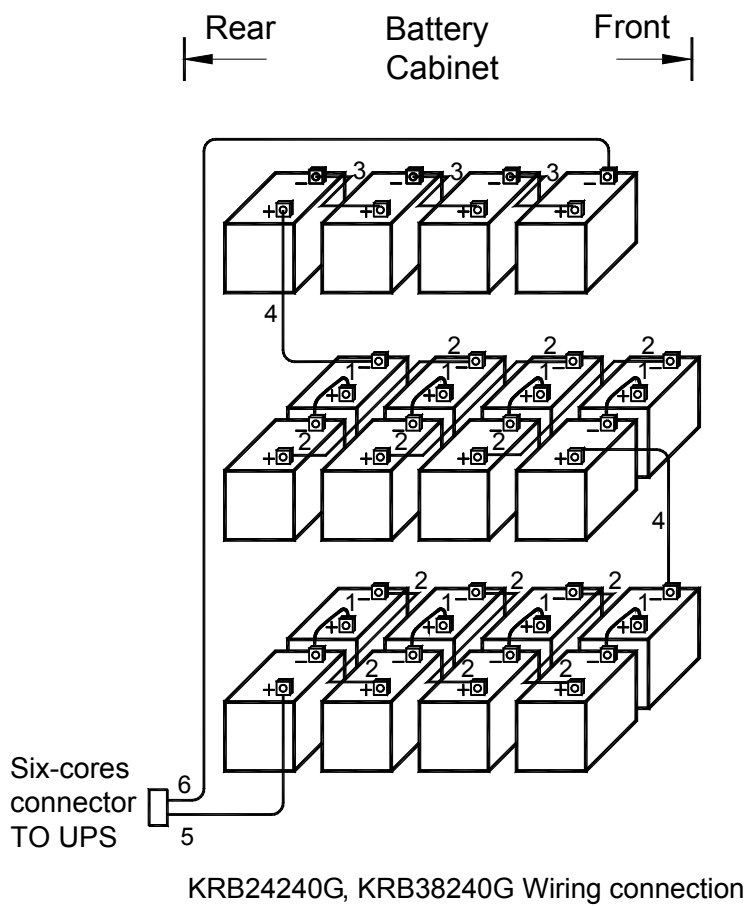
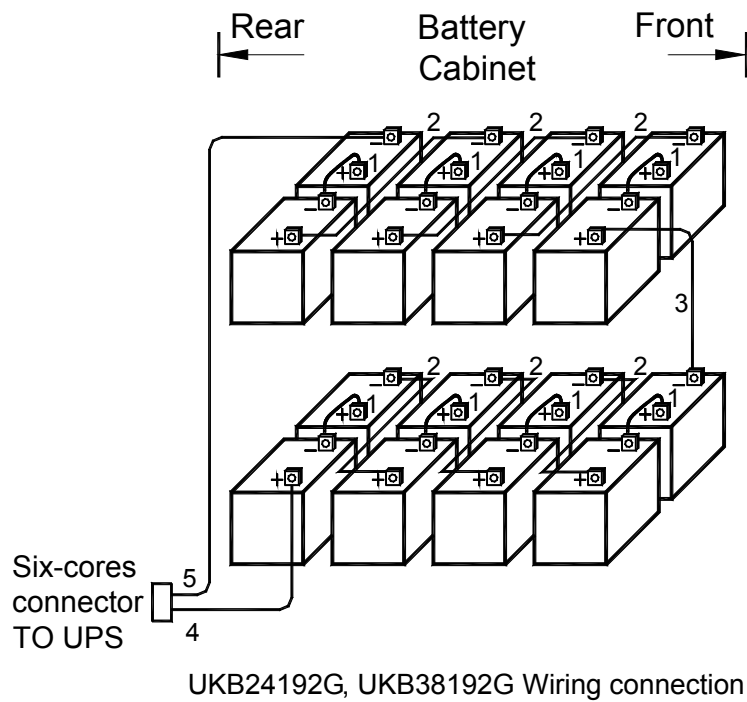
FRB6596G, FRB10096G(A)Wiring

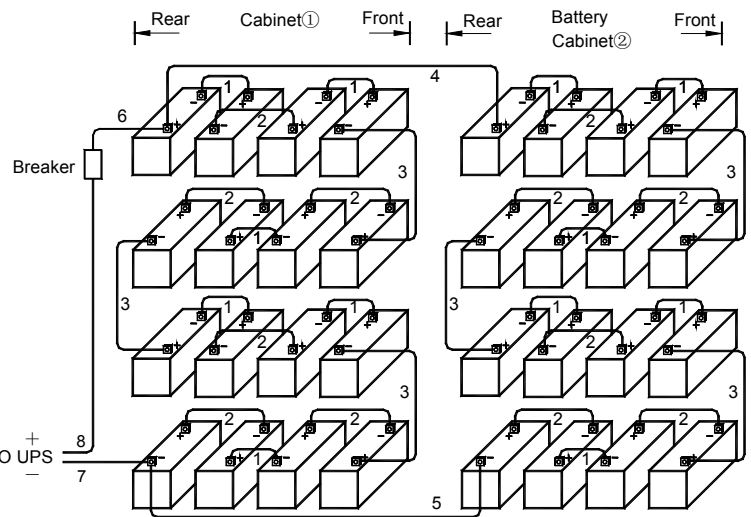
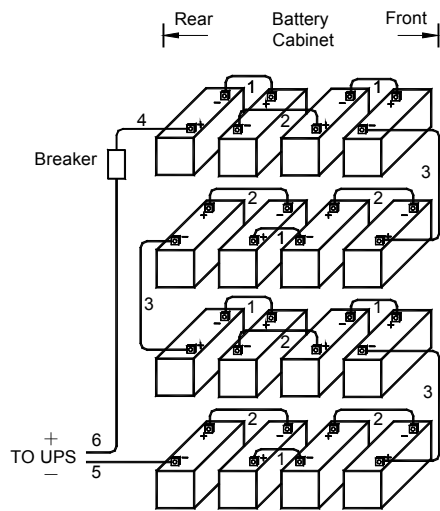


FRB10096G2(A)Wiring connection connection



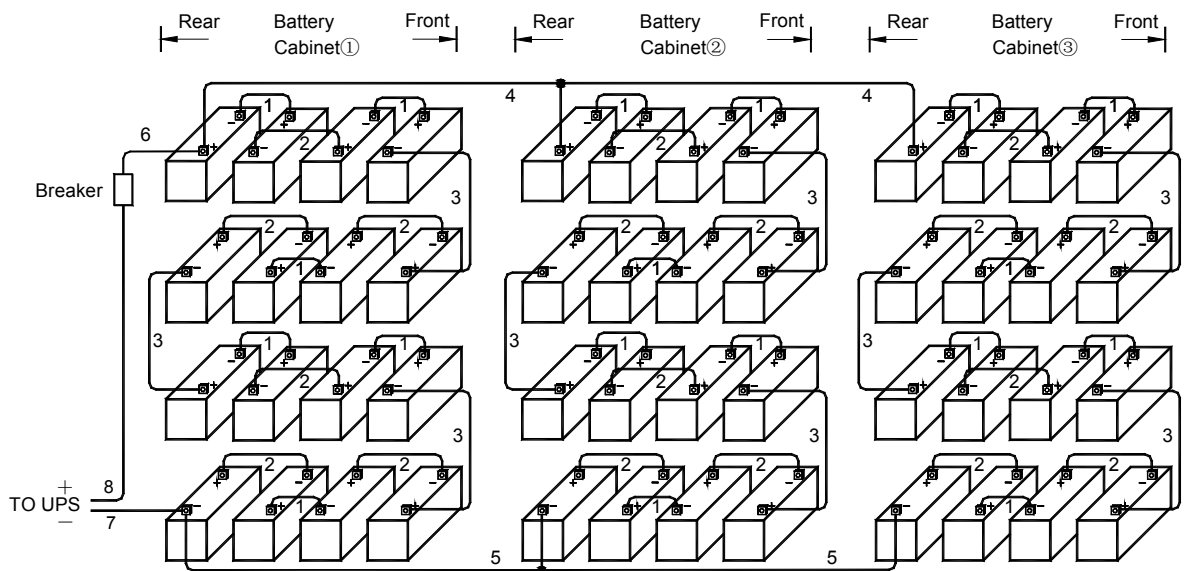
UKB65192G, UKB100192G(A)Wiring



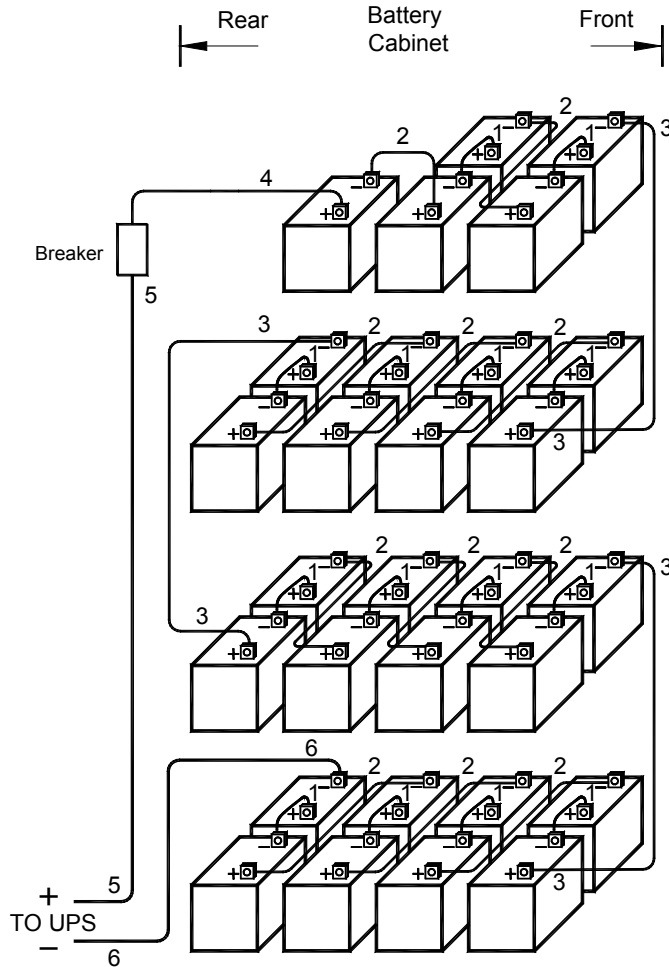


DGL65192B, DGL100192B(A)
 DGL65192B II, DGL100192B II (A)
 DGL100192B2 II (A)
 DGL65192BIII, DGL100192BIII(A)
 DGL100192B2III(A)
 DGL100192BIV(A) Wiring connection

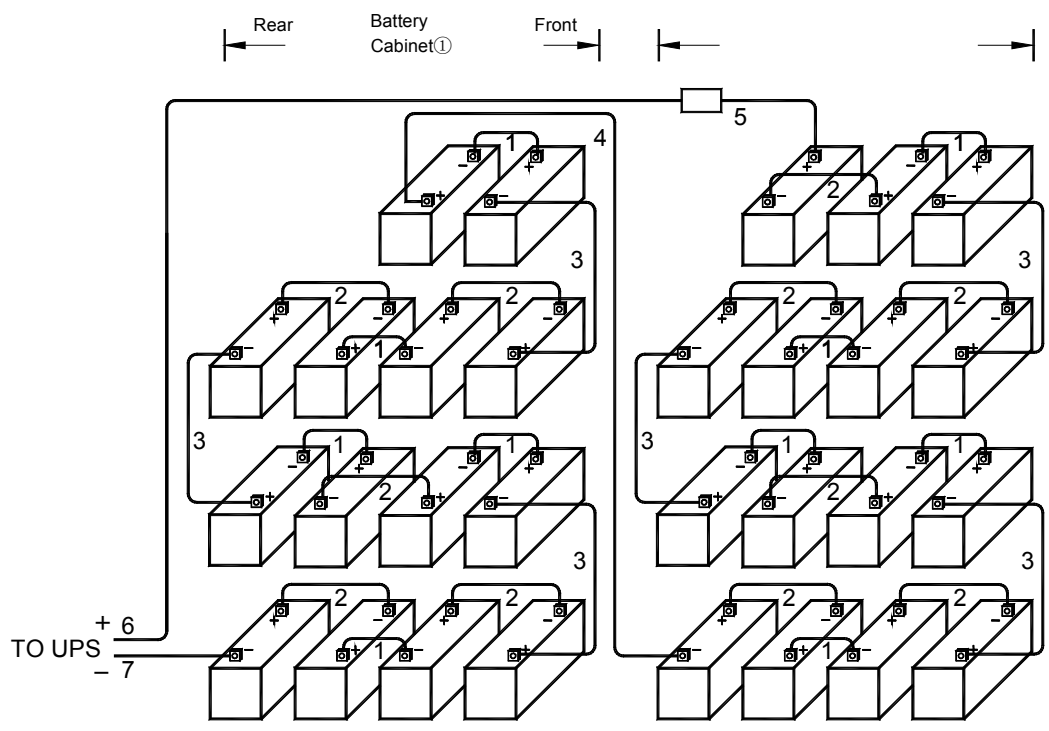
DGL65192B2, DGL100192B2(A)
 DGL65192B2 II,
 DGL65192B2III,
 DGL100192B2IV(A)Wiring connection



DGL100192B3III(A), DGL100192B3IV(A) Wiring connection

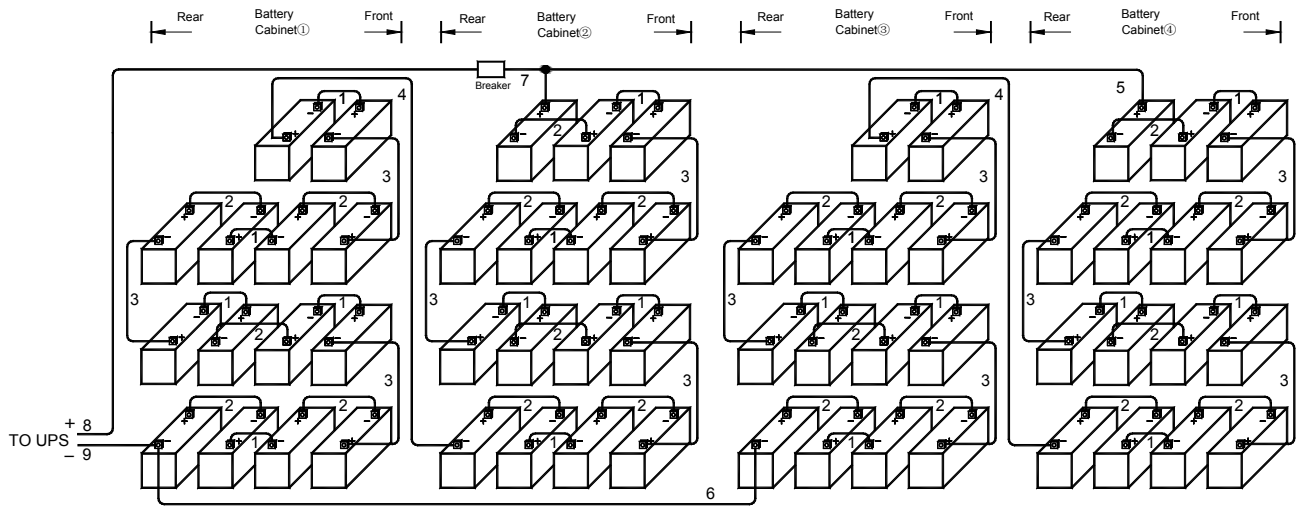


DGL24348B, DGL38348B、DGL38348B I Wiring connection

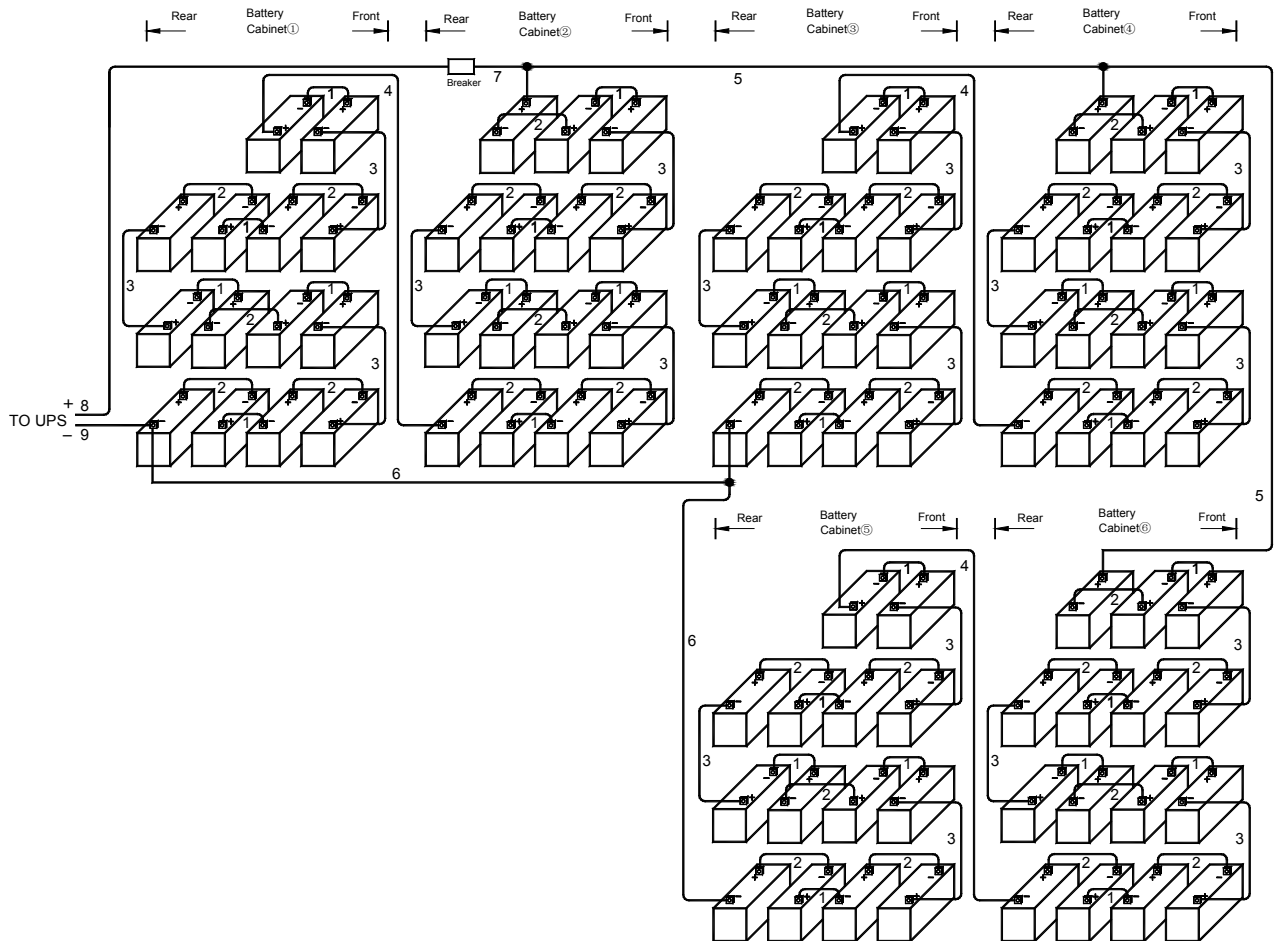


DGL65348B, DGL65348B I , DGL100348B(A),

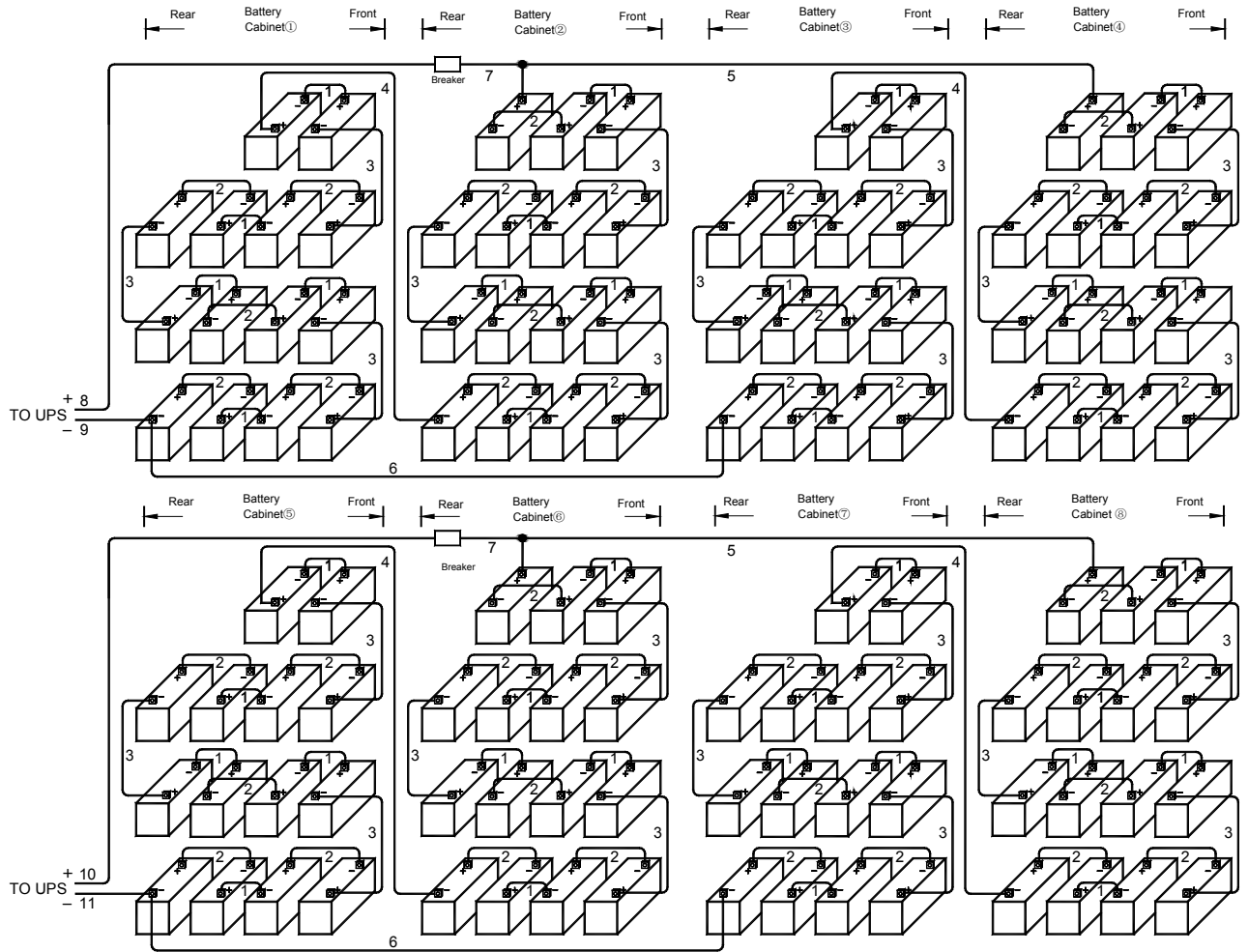
DGL100348B I (A), DGL100348B II (A) Wiring connection



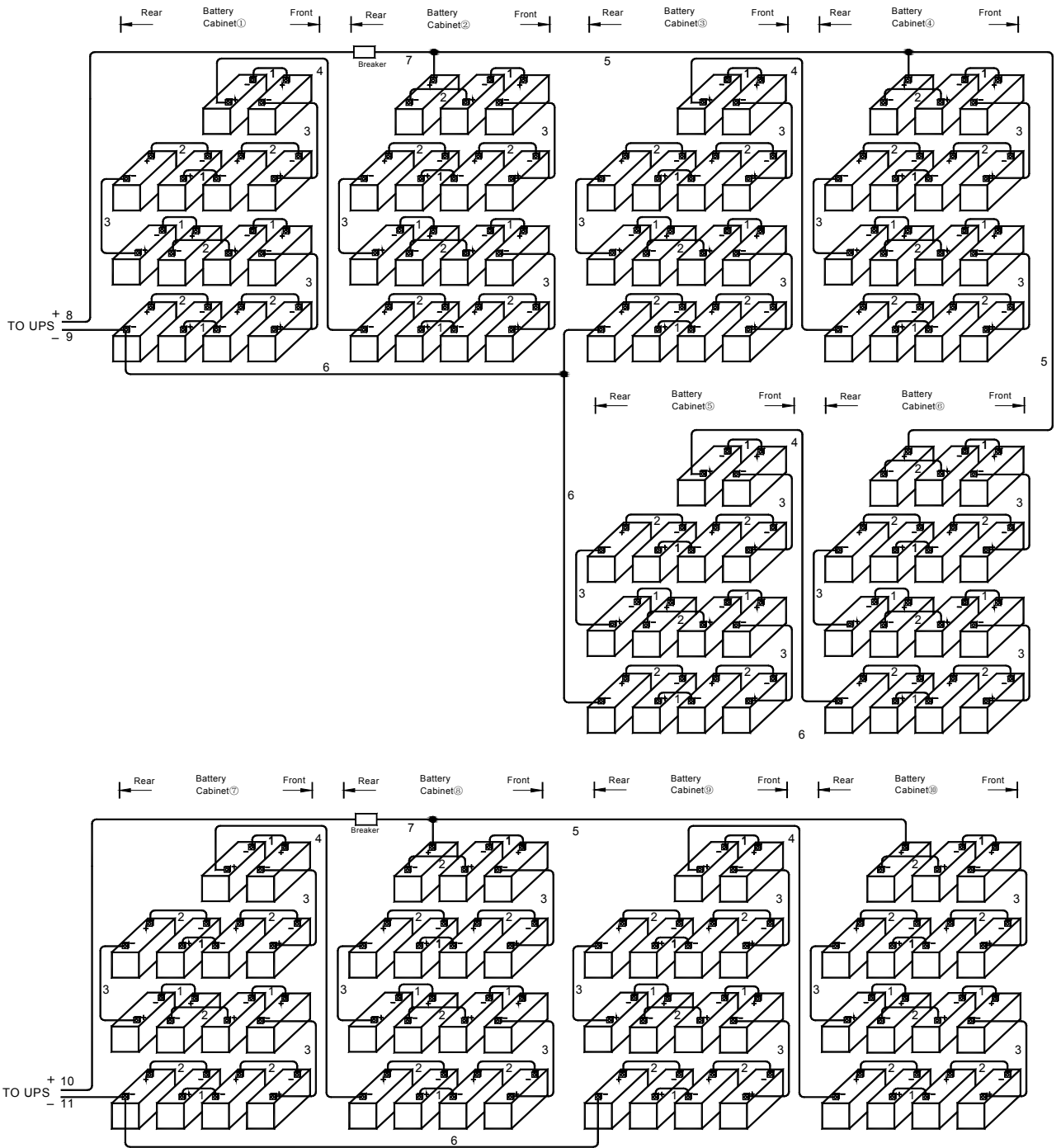
DGL65348B2, DGL65348B2 I , DGL65348B2 II , DGL65348B2III, DGL100348B2(A), DGL100348B2 I (A), DGL100348B2 II (A), DGL100348B2III(A), DGL100348B2IV(A), DGL100348B2 V (A), DGL100348B2VI(A), DGL100348B2VII(A) Wiring connection



DGL100348B3(A), DGL100348B3 I (A), DGL100348B3 II (A), DGL100348B3III(A),
 DGL100348B3IV(A),
 DGL100348B3 V (A), DGL100348B3VI(A), DGL100348B3VII(A) Wiring connection



DGL100348B4 I (A), DGL100348B4 II (A), DGL100348B4III(A), DGL100348B4IV(A),
 DGL100348B4 V (A), DGL100348B4VI(A), DGL100348B4VII(A) Wiring connection



DGL100348B5 IV(A), DGL100348B5 V(A), DGL100348B5 VI(A), DGL100348B5 VII(A) Wiring connection