

BOXES for economical solutions

1978-2008





Designed for "low-cost" solutions, our SI economy boxes offer an outstanding quality at an affordable price and are ideal for applications that require a reliable and competitive product.

Main features and benefits include:

- functionality: embedded cable entry openings - one on top and one at the bottom - make the wiring easier and enable the entry/exit of the cables from two opposite sides. The door locking system is improved and provided with metal locking cam
- wide range: 20 standard sizes available with blank door
- competitive quality: the SI range offers outstanding quality at an affordable price

CHARACTERISTICS

- door and enclosure manufactured from 12/10 sheet steel
- flat mounting plate in 20/10 galvanized sheet steel (the plate dim. W 500 x H 700 has raised edges on all sides)

PAINT FINISH

ETA standard epoxy polyester powder coating.
Enclosure and door: colour RAL7035 textured finish.

CERTIFICATIONS

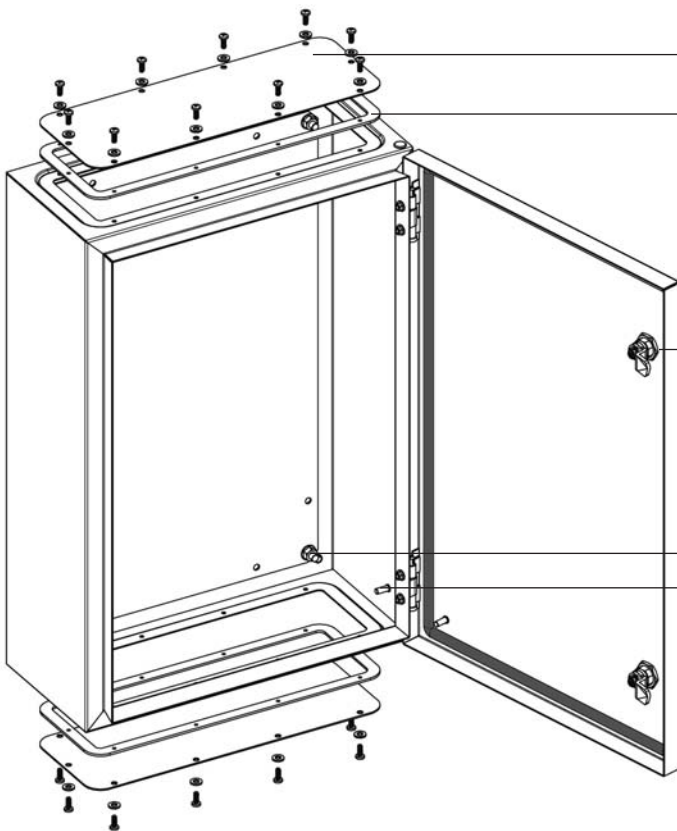


PROTECTION RATINGS

- IP55 complying with IEC EN62208; EN60529 (available on request: IP66 complying with IEC EN62208; EN60529)
- NEMA 12 complying with UL508A; UL50
- protection degree guaranteed by the two-component polyurethane foam seal
- impact resistance IK10 complying with IEC EN62208; EN50102

DELIVERY

- The box is supplied with:
- blank door
 - mounting plate
 - two cable entry plates with gasket
 - mounting accessories and screws for earthing
 - locking system with \varnothing 3mm double bar key

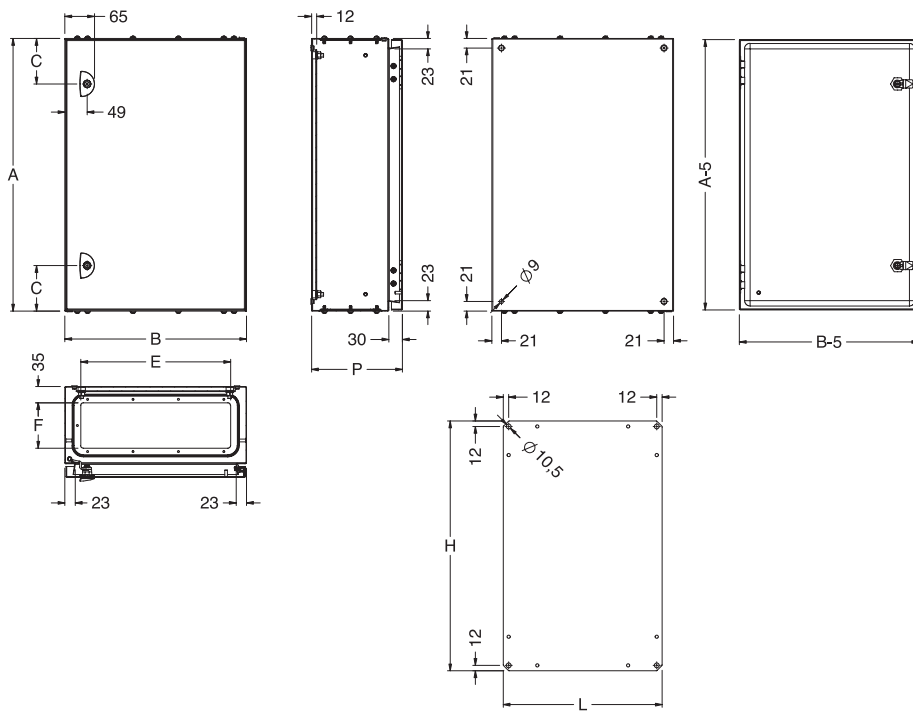


cable entry plates are flush fitting with maximum size openings for cable entry access
cross-link polyethylene foam gasket

ETA standard locking system

M8 studs for mounting plate fixation, that enhance the solidity of the mounting plate installation

studs welded on the inner side of the enclosure to fit the complementary accessories like the modular kit and the inner door (available upon request)



SI 200 WIDE

SI CODE*	BOX DIMENSIONS			CABLE ENTRY		MOUNTING PLATE DIM.		NR. OF LOCKS	
	B	A	P	C	E	F	L		H
SI2315	200	300	150	150	130	50	150	250	1

SI 300 WIDE

SI CODE*	BOX DIMENSIONS			CABLE ENTRY		MOUNTING PLATE DIM.		NR. OF LOCKS	
	B	A	P	C	E	F	L		H
SI3315	300	300	150	150	230	50	250	250	1
SI3320	300	300	200	150	230	100	250	250	1
SI3415	300	400	150	200	230	50	250	350	1
SI3420	300	400	200	200	230	100	250	350	1
SI3520	300	500	200	250	230	100	250	450	1

SI 400 WIDE

SI CODE*	BOX DIMENSIONS			CABLE ENTRY		MOUNTING PLATE DIM.		NR. OF LOCKS	
	B	A	P	C	E	F	L		H
SI4315	400	300	150	150	230	50	350	250	1
SI4320	400	300	200	150	330	100	350	250	1
SI4420	400	400	200	200	330	100	350	350	1
SI4515	400	500	150	250	230	50	350	450	1
SI4520	400	500	200	250	330	100	350	450	1
SI4525	400	500	250	250	330	100	350	450	1
SI4620	400	600	200	100	330	100	350	550	2
SI4625	400	600	250	100	330	100	350	550	2

SI 500 WIDE

SI CODE*	BOX DIMENSIONS			CABLE ENTRY		MOUNTING PLATE DIM.		NR. OF LOCKS	
	B	A	P	C	E	F	L		H
SI5625	500	600	250	100	330	100	450	550	2
SI5720	500	700	200	100	330	100	450	650	2
SI5725	500	700	250	100	330	100	450	650	2

SI 600 WIDE

SI CODE*	BOX DIMENSIONS			CABLE ENTRY		MOUNTING PLATE DIM.		NR. OF LOCKS	
	B	A	P	C	E	F	L		H
SI6420	600	400	200	200	530	100	550	350	1
SI6620	600	600	200	100	530	100	550	550	2
SI6630	600	600	300	100	530	100	550	550	2

* SI boxes without mounting plate are available upon request and depending on minimum order quantities. To order the item, please add the prefix SIN to the product code. I.E.: code SIN2315.

ACCESSORIES

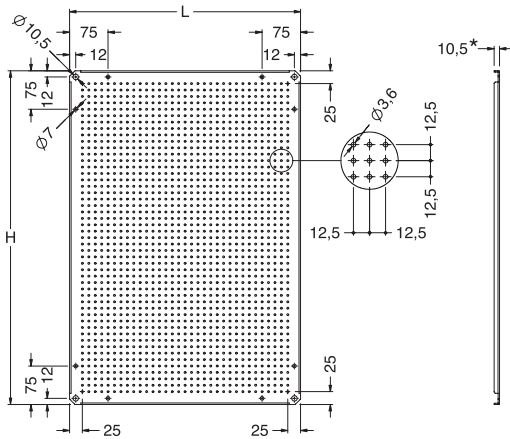
MICROPERFORATED MOUNTING PLATES WPAZ ... F

The microperforated mounting plate WPAZ ... F is assembled with the same procedure as the standard mounting plates.

CHARACTERISTICS

Made of 25/10 galvanized sheet steel.
The plate dim. W 500 x H 700 has raised edges on all sides.

AVAILABLE UPON REQUEST.



* The plate dim. W 500 x H 700 has raised edges on all sides.

MICROPERFORATED MOUNTING PLATES

WPAZ CODE	BOX DIMENSIONS		MOUNTING PLATE DIM.	
	B	A	L	H
WPAZ-ST23F	200	300	150	250
WPAZ-ST33F	300	300	250	250
WPAZ-ST35F	300	500	250	450
WPAZ-ST43F	400	300	350	250
WPAZ-ST44F	400	400	350	350
WPAZ-ST45F	400	500	350	450
WPAZ-ST46F	400	600	350	550
WPAZ-ST57F	500	700	450	650
WPAZ-ST64F	600	400	550	350
WPAZ-ST66F	600	600	550	550

CABLE ENTRY GLAND PLATE

WC CODE PLATE DIMENSIONS

WC016B	158 X 78
WC018B	258 X 78
WC019B	258 X 128
WC020B	358 X 128
WC022B	558 X 128

NOTE: spare part; the WC gland plate is already included in the supply.

CABLE ENTRY GLAND PLATE WC

CHARACTERISTICS

Manufactured from 15/10 sheet steel.

PAINT FINISH

Colour: RAL 7035 textured finish.

DELIVERY

Supply includes nr. 1 piece with sealing gasket and mounting accessories.



LOUVERED CABLE ENTRY PLATES WC ... A

CHARACTERISTICS

Manufactured from 15/10 sheet steel.

PAINT FINISH

Colour: RAL 7035 textured finish.

DELIVERY

Supply includes nr. 1 piece complete with seals and mounting accessories.



LOUVERED CABLE ENTRY PLATES

WC CODE PLATE DIMENSIONS

WC016A	158 X 78
WC018A	258 X 78
WC019A	258 X 128
WC020A	358 X 128
WC022A	558 X 128

AVAILABLE UPON REQUEST.



INNOVATIVE ENCLOSURE SOLUTIONS
FOR INDUSTRIAL & ELECTRONIC APPLICATIONS

22035 Canzo - Como (Italy)
Via Monte Barzaghino, 6
tel. ++39 031.673.611
fax ++39 031.670.525
www.eta.it
infosede@eta.it

Eta Enclosures (UK) Limited
Unit 2, Ignite,
Magna Way
Rotherham S60 1FD
tel. ++44 (0) 1709 386630
fax ++44 (0) 1709 369524
www.eta-enclosures.co.uk
info@eta-enclosures.co.uk

Eta S.p.A. France
Rue du Pré aux Bœufs BP455
76806 Saint Etienne du Rouvray
tel. ++33 (02) 35 64 34 70
fax ++33 (02) 35 64 22 75
eta-france@wanadoo.fr