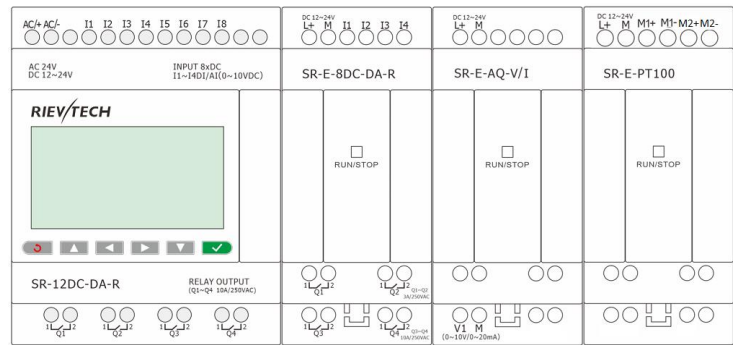
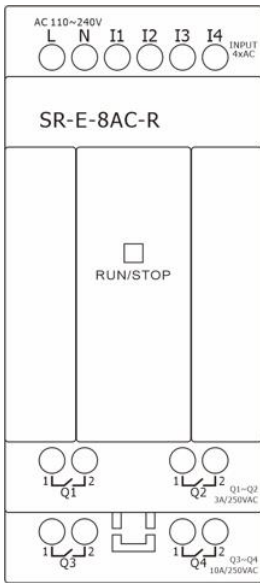


◆ **Technical Data:**

**Model: SR-E-8AC-R**



1. Up to 3 pcs extensions can be applied to the SR CPU
2. Up to 16 pcs extensions can be applied to the PR CPU
3. Connection cable length can be customized (Max. 30 Meters for the distance between the end extension and CPU)

**Technical Index**

<b>Power supply:</b>	
Nominal voltage	AC110V-240V
Operating limits	AC85 - 265 V
The main frequency range	47-63Hz
Max. absorbed power	70mA (85V ac); 40mA (265V ac)
Isolation voltage	1780V AC
Protection against polarity inversions	Yes
<b>Input parameters:</b>	
Input No	4 (I1-I4)
Digital input	4 (I1-I4)
Analogue input	None
Input voltage	AC110-240V
Input signal0	AC0-40V; <0.03mA
Input signal1	AC79-240V; >0.06mA
Input Response Time	Delay time at 0 to 1: 120V AC : Typ. 30 ms 240V AC : Typ. 20 ms Delay time at 1 to 0: 120V AC : Typ. 130 ms 240V AC : Typ. 120 ms
Maximum counting frequency	Typ. 4Hz
Sensor type	Contact or 3-wire PNP
Isolation between power supply and inputs	None
Isolation between inputs	None
Protection against polarity inversions	Yes
<b>Output parameters:</b>	
Output No.	4 (Q1-Q4)
Output type	Relay output
Safety certified load (resistive)	(Q1-Q2) 3A 250VAC (Q3-Q4) 10A 250VAC

Min switching load	6V 1A
Electrical durability Expectancy	10 <sup>5</sup> Operations at Rated Resistive Load
Mechanical life	10 <sup>7</sup> Operations at No Load condition
Response time	Operate Time: 15 mSec. Max. Release Time: 10 mSec. Max.
Built-in protections	Against short-circuits: None Against over-voltages and overloads: None
<b>Switch frequency:</b>	
Mechanism	10Hz
Resistor/light load	2Hz
Sensitive load	0.5Hz
<b>Other parameters:</b>	
Operation temp	-20°C-+55°C
Storage temp	-40°C-+70°C
Weight	144.7g / 180.7g(packaging)

### Installation Dimensions & Wiring Diagram

