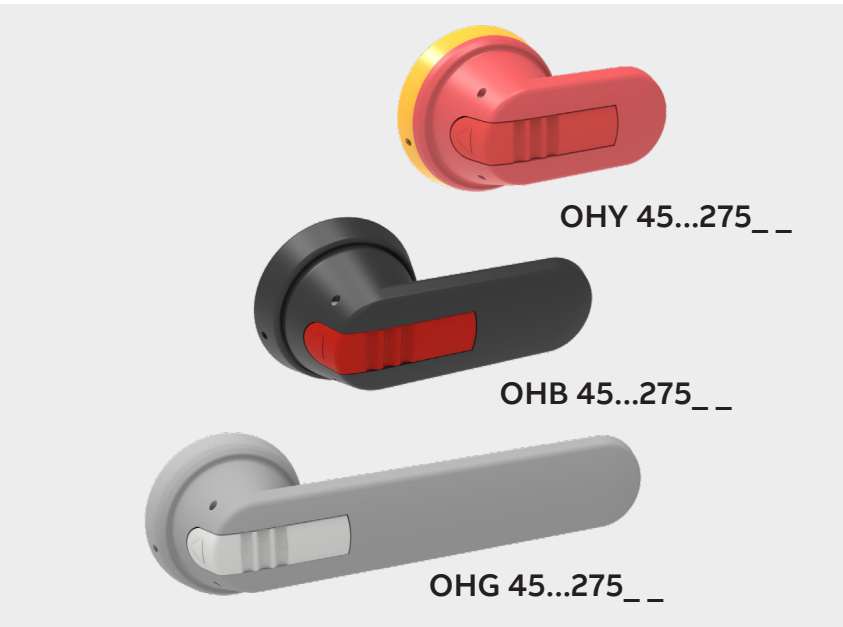


INSTALLATION INSTRUCTION

## Handles

### OH45-275

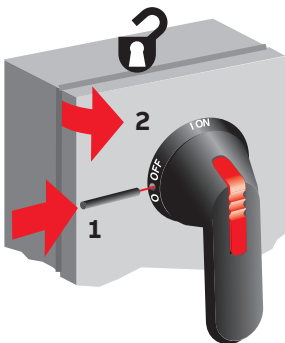
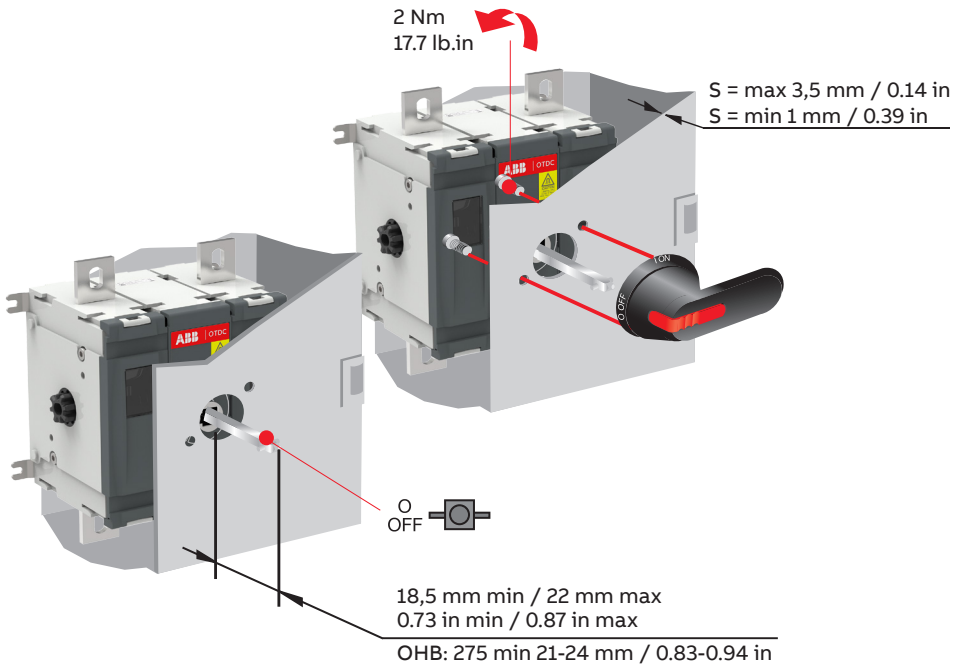


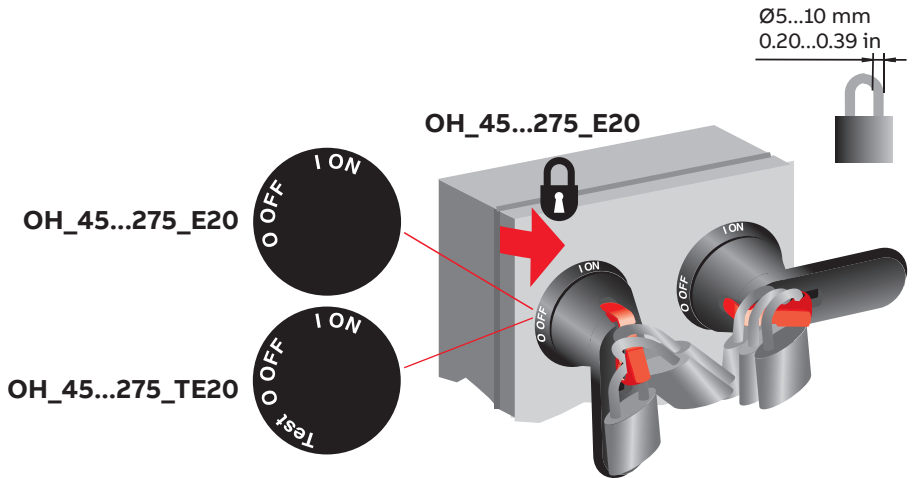
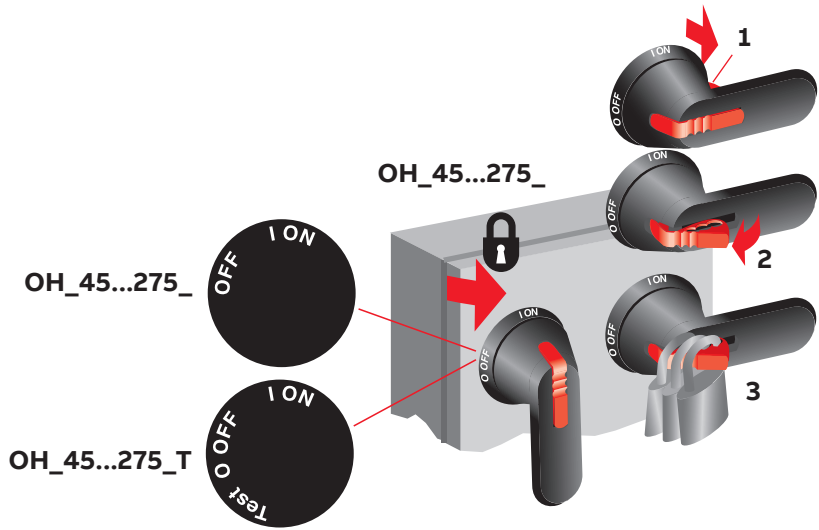
OHY 45...275\_\_

OHB 45...275\_\_

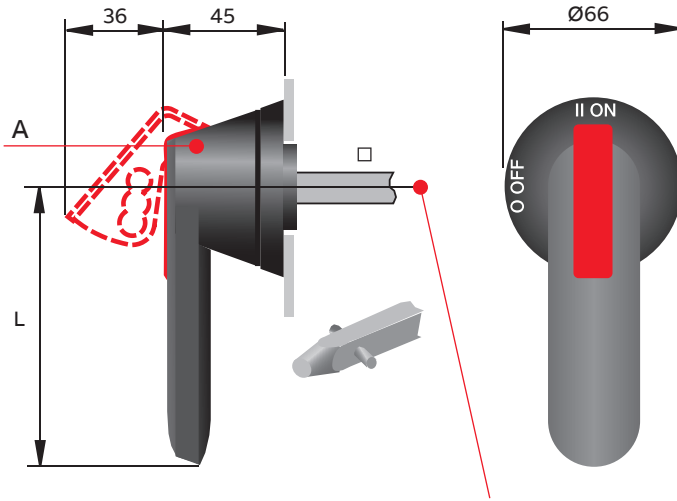
OHG 45...275\_\_

# OH45-275





## HANDLES, OH45-275



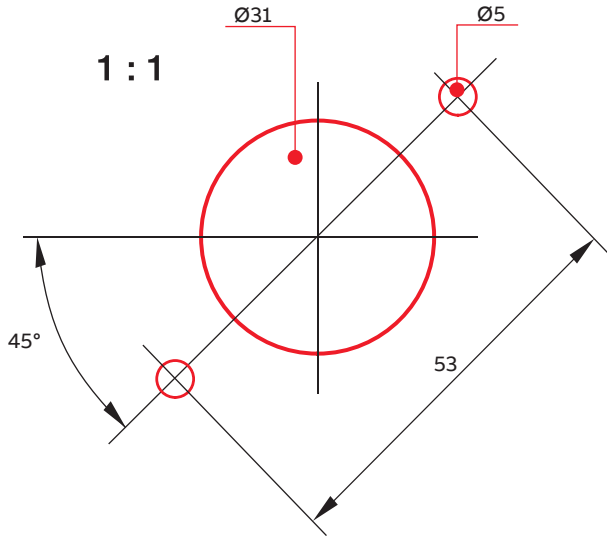
A	275L	□
OHB45J6	45	6
OHB45J10	45	10
OHB65J6	65	6
OHB65J10	65	10
OHB80J6	80	6
OHB80J10	80	10
OHB95J10	95	10
OHB95J12	95	12
OHB125J10	125	10
OHB125J12	125	12
OHB145J12	145	12
OHB175J12	175	12
OHB275J12	275	12

J = IP65, UL/NEMA Type 1, 3R, 12  
 H = IP54, L = UL/NEMA Type 4, 4X

B = ■ Y = ■ G = ■



# Drilling holes





---

## Contact us

### **ABB Oy**

P.O. Box 622  
FI-65101 Vaasa  
Finland

**[abb.com/lowvoltage](https://abb.com/lowvoltage)**