

SAFETY INSTRUCTIONS

AF(S)400, AF(S)460, AF(S)580, AF(S)750, AF1250, AF460N6, AF750N7, GAF460, GAF750, GAF1250
Contactors/Auxiliary Contacts

Doc.no. 1SFC380023-EN 5 (03/23)

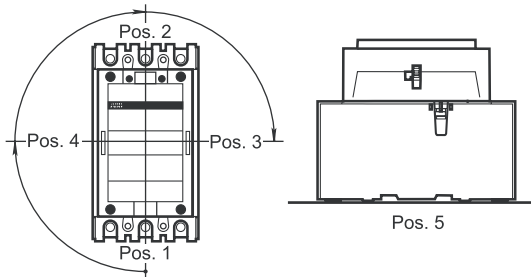
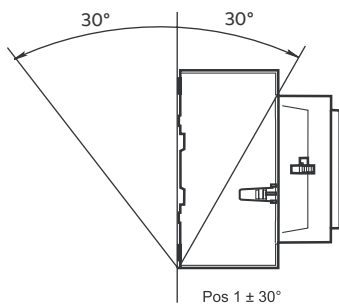
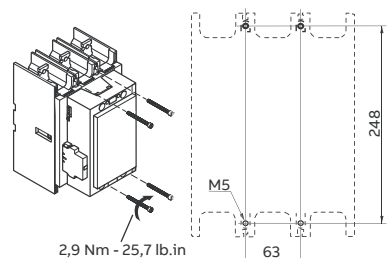
| | |
|-----------------------------------------------------------------------------------------------------------------------------------------------------------------------------------------------------------------------------------------------------------------------------------------------------------------------|-------------------------------------------------------------------------------------------------------------------------------------------------------------------------------------------------------------------------------------------------------------------------------------------------|
| | <p>it Attenzione: Tensione pericolosa! Fare riferimento alle istruzioni per l'uso. Prima di intervenire su questo dispositivo, scollegare e isolare tutte le fonti di alimentazione. Attenzione! L'installazione deve essere eseguita esclusivamente da un installatore qualificato.</p> |
| <p>ar تحذير: جهد كهربائي خطير! راجع تعليمات التشغيل. افصل الكهرباء وقم بتأمينها قبل العمل في هذا الجهاز تنبيه! يجب عدم التركيب إلا من خلال شخص على دراية بمجال التقنية الكهربائية</p> | <p>lt Įspėjimas: Pavojinga įtampa! Žr. naudojimo instrukcijas. Atjunkite ir laikinai užblokuokite maitinimą prieš dirbdami su šiuo įrenginiu. Dėmesio! Įrengti gali tik asmuo, turintis elektrotechniko patirties.</p> |
| <p>bg Предупреждение: Опасно напрежение! Вижте инструкциите за работа. Изключете и блокирайте захранването преди да работите с устройството. Внимание! Да се монтира само от експерт електротехник.</p> | <p>lv Bīdriņājums: Bīstams spriegums! Skatiet darba norādījumus. Pirms sākat darbu ar šo ierīci, atvienojiet un bloķējiet strāvas padevi. Uzmanību! Uzstādīšanu drīkst veikt tikai persona ar zināšanām par elektrotehniku.</p> |
| <p>cs Varování: Nebezpečné napětí! Viz návod k obsluze. Před zahájením prací na tomto zařízení odpojte a uzamkněte napájení. Pozor! Toto zařízení smí instalovat pouze osoba s elektrotechnickou odborností.</p> | <p>nl Waarschuwing: Gevaarlijke spanning! Raadpleeg de installatie-instructies. Koppel dit apparaat los van de stroomvoorziening voordat u werkzaamheden uitvoert. Let op! Installatie mag alleen worden uitgevoerd door een monteur met elektrotechnische expertise.</p> |
| <p>da Advarsel: Farlig elektrisk spænding! Se installationsinstruktioner. Frakobl enheden, og afbryd strømforsyningen, før du arbejder med denne enhed. Giv agt! Installation må kun foretages af personer med elektroteknisk ekspertise.</p> | <p>no Advarsel: Farlig spenning! Se i bruksanvisningen. Koble fra og steng av strømmen før du arbeider på denne enheten. Forsiktig! Montering skal kun utføres av kvalifiserte personer med elektrokompetanse.</p> |
| <p>de Warnung: Gefährliche Spannung! Siehe Installationsanleitung. Vor dem Arbeiten Gerät ausschalten und von der Spannungsversorgung trennen. Achtung! Installation nur durch elektrotechnische Fachkraft.</p> | <p>pl Ostrzeżenie: Niebezpieczne napięcie! Patr: instrukcja instalacji. Przed rozpoczęciem wykonywania pracy z tym urządzeniem odłącz i zablokuj zasilanie. Uwaga! Montaż może wykonywać wyłącznie osoba posiadająca doświadczenie elektrotechniczne.</p> |
| <p>el Προειδοποίηση: Επικίνδυνη τάση! Ανατρέξτε στις οδηγίες λειτουργίας. Αποσυνδέστε και απομονώστε την παροχή ισχύος προτού ξεκινήσετε τις εργασίες σε αυτήν τη συσκευή. Προσοχή! Η εγκατάσταση πρέπει να γίνεται μόνο από αδειούχο ηλεκτρολόγο εγκαταστάτη.</p> | <p>pt Aviso: Tensão perigosa! Consulte as instruções de instalação. Desconecte e desligue a energia elétrica antes de trabalhar nesse dispositivo. Atenção! A instalação deve ser feita apenas por uma pessoa com especialidade eletrotécnica.</p> |
| <p>en Warning: Hazardous voltage! Refer to installation instructions. Disconnect and lock out power before working on this device. Attention! Installation by person with electrotechnical expertise only.</p> | <p>ro Avertisment: Tensiune electrică periculoasă! Consultați instrucțiunile de utilizare. Deconectați și închideți sursa de energie înainte de a lucra cu acest dispozitiv. Atenție! Instalarea trebuie realizată doar de către o persoană cu expertiză electrotehnică.</p> |
| <p>es Advertencia: ¡Tensión peligrosa! Consulte las instrucciones de instalación. Antes de trabajar con este dispositivo, desconecte y bloquee la corriente. ¡Atención! La instalación debe ser realizada únicamente por un técnico electricista.</p> | <p>ru Предупреждение: Опасное электрическое напряжение! Обратитесь к инструкциям по монтажу. Отключите электропитание и обеспечьте безопасность перед началом работ. Внимание! Монтаж должен выполняться только специалистом по электротехническим работам.</p> |
| <p>et Hoiatus: Elektrilöögi oht! Lisateavet vaadake kasutusjuhendist. Enne selle seadmega töötamist ühendage lahti ja lukustage toide. Tähelepanu! Seadet tohib paigaldada ainult elektrotehnilise kogemusega isik.</p> | <p>sk Výstraha: Nebezpečné napätie! Pozrite si návod na použitie. Pred začatím prác na tomto zariadení odpojte a zablokujte napájanie. Pozor! Inštaláciu smie vykonávať len osoba s odbornými znalosťami v oblasti elektrotechniky.</p> |
| <p>fi Varoitus: Vaarallinen jännite! Katso asennusohje. atkaise virta ja estä virran kytkeminen lukituksella ennen töiden aloittamista. Huomio! Asennuksen saa suorittaa vain henkilö, jolla on kokemusta sähkötekniikasta.</p> | <p>sl Opozorilo: Nevarna napetost! Glejte navodila za uporabo. Pred delom na tej napravi izklopite in zaklenite električno napajanje. Pozor! Namestitve sme izvesti samo elektrotehnični strokovnjak.</p> |
| <p>fr Avertissement: Tension dangereuse! Consultez les consignes d'installation. Débranchez et verrouillez l'alimentation électrique avant d'entreprendre des travaux sur cet appareil. Attention! L'installation doit être effectuée uniquement par une personne ayant une expertise en électrotechnique.</p> | <p>sv Varning: Livsfarlig spänning! Se i bruksanvisningen. Frånkoppla och blockera anläggning eller en anläggningsdel innan arbete utförs. Obs! Får endast installeras av behörig elektriker.</p> |
| <p>hr Upozorenje: Opasan napon! Pogledajte upute za ugradnju. Odspojite i isključite struju prije rada na ovom uređaju. Pažnja! Ugradnja je dopuštena samo osobama stručnim u području elektrotehnike.</p> | <p>tr Uyarı: Tehlikeli gerilim! Montaj talimatlarına bakın. Bu cihaz üzerinde çalışmadan önce elektriği kesin ve kilitleyin. Dikkat! Yalnızca elektroteknik uzmanlığa sahip kişiler tarafından kurulabilir.</p> |
| <p>hu Figyelmeztetés: Veszélyes feszültség! Lásd a használati utasítást. Válassza le és zárja ki az áramellátást, mielőtt a berendezésen dolgozni kezd. Figyelem! Az üzembe helyezést csak elektrotechnikai szakértelemmel rendelkező személy végezheti el.</p> | <p>zh 警告：高压危险！请参见操作手册。操作本设备前请断开并锁定电源。注意！安装仅限专业电工人员。</p> |

INSTALLATION INSTRUCTIONS

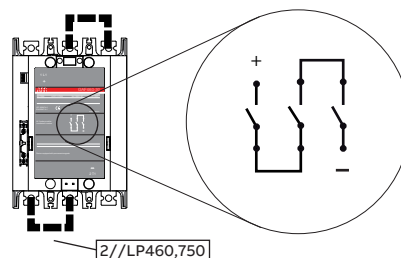
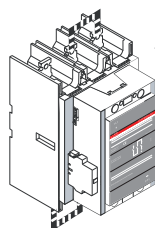
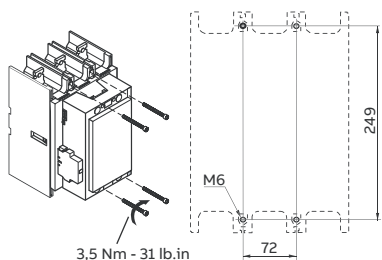
AF(S)400, AF(S)460, AF(S)580, AF(S)750, AF1250, AF460N6, AF750N7, GAF460, GAF750, GAF1250
Contactors/Auxiliary Contacts

| | | | | |
|--|--------------------------------------------|------------------------------------------------------|-----------------------------------------------------------------------|----------------------------------------------------|
| | GAF 460 M10 35 Nm - 310 lb.in | GAF 750, GAF 1250 M12 45 Nm - 398 lb.in | GAF 460 Max. 45mm Max. 47mm | GAF 750, GAF 1250 Max. 50mm Max. 52mm |
| | M 3.5 1 Nm - 9 lb.in | ø 5 Pozidriv N° 2 | 2 x 1 2,5 mm ² 2 x 0,75 2,5 mm ² | |

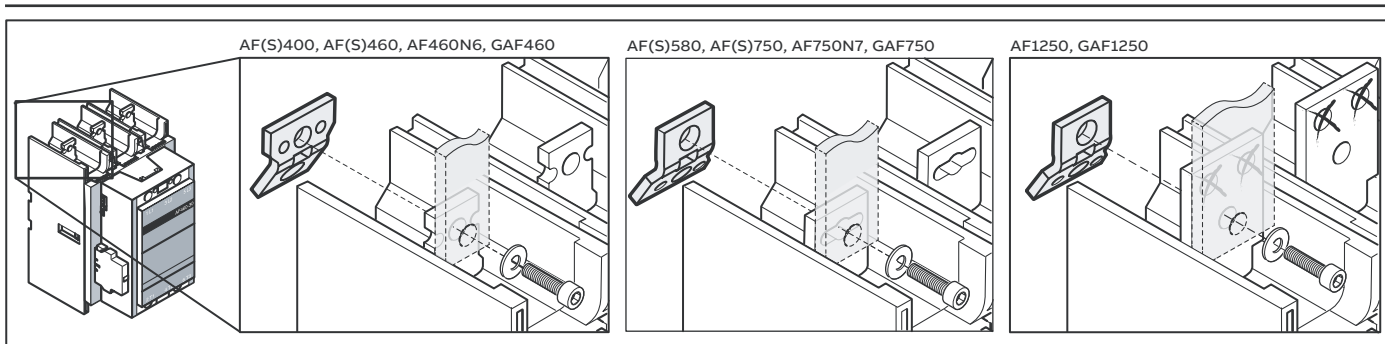
AF(S)400, AF(S)460, AF460N6, GAF460



AF(S)580, AF(S)750, AF1250, AF750N7, GAF750, GAF1250



2//LP460,750

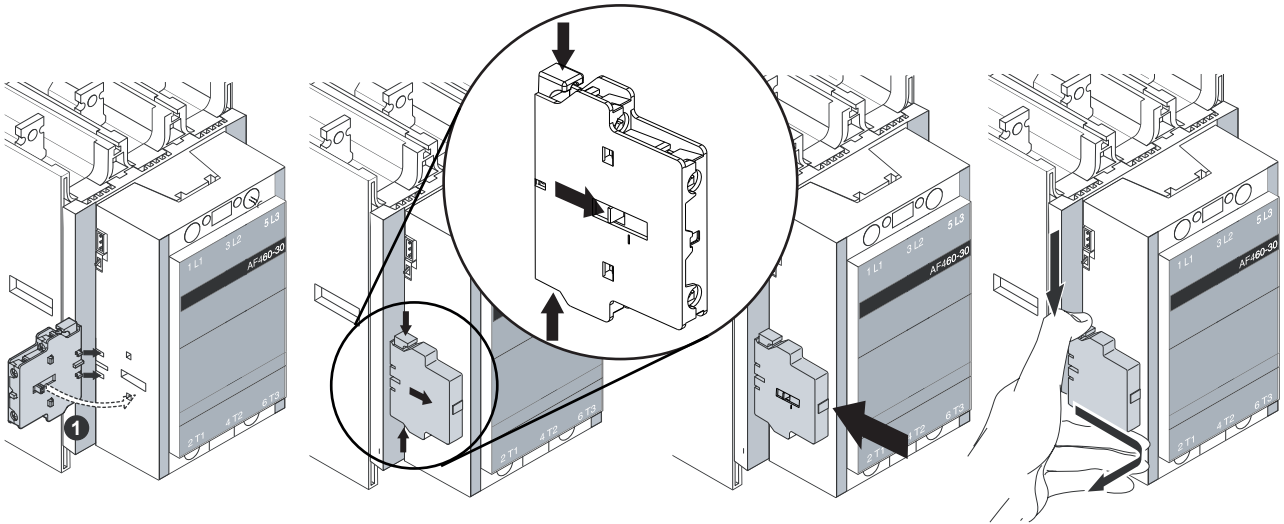
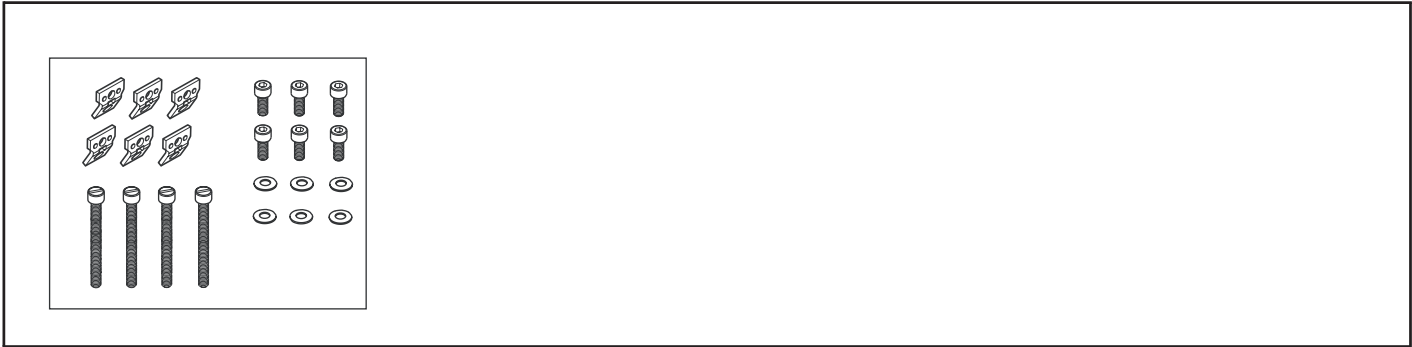
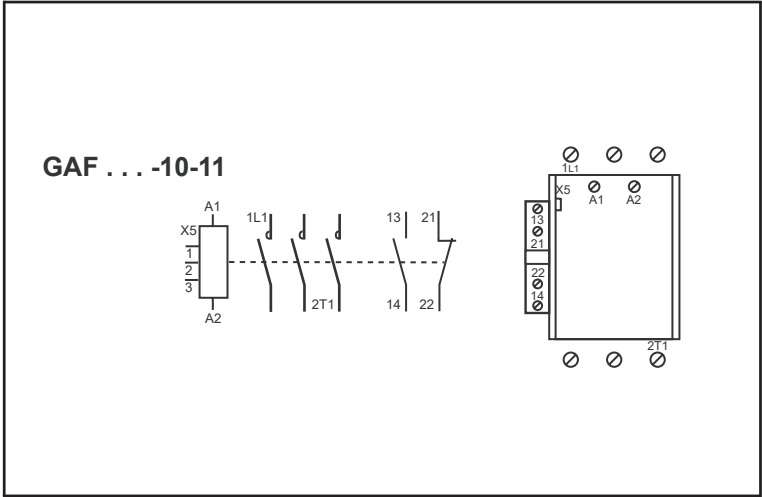
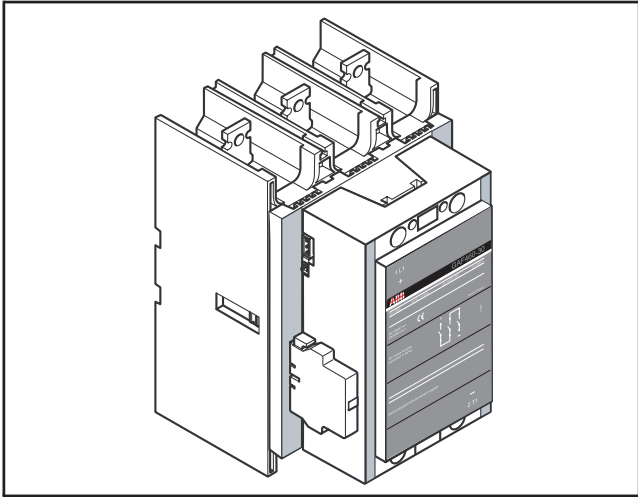


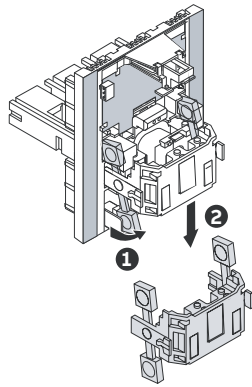
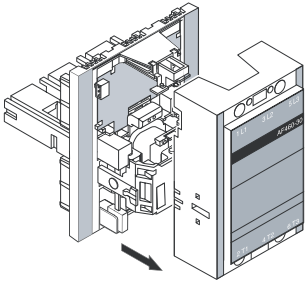
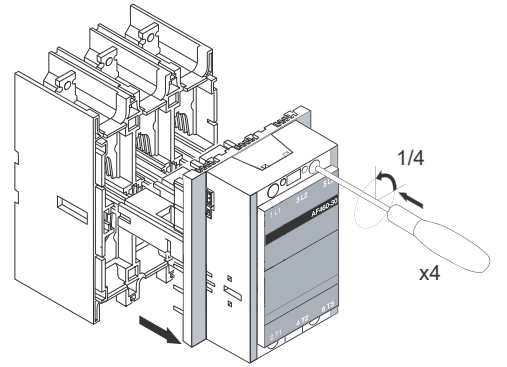
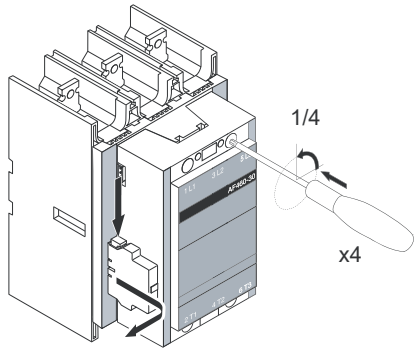
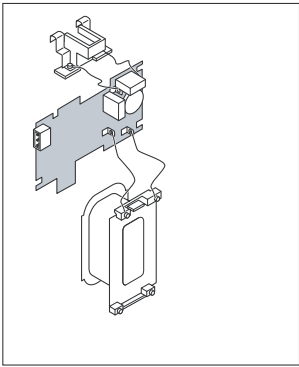
According to UL 60947-4-1

- Use wire Cu 75°C only.
- AF(S)400, 460, GAF460:** Enclosure with min. 36 by 30 by 12 inches should be used.
- AF(S)580, 750, GAF750:** Enclosure with min. 48 by 36 by 16 inches should be used and secured by at least three latches.
- AF1250, GAF1250:** Enclosure with min. 2000 x 1000 x 600 mm should be used.

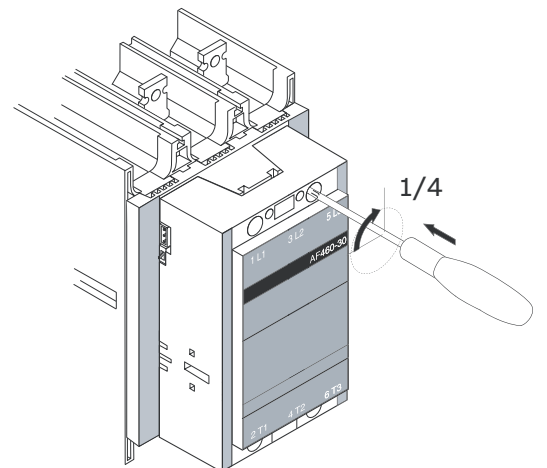
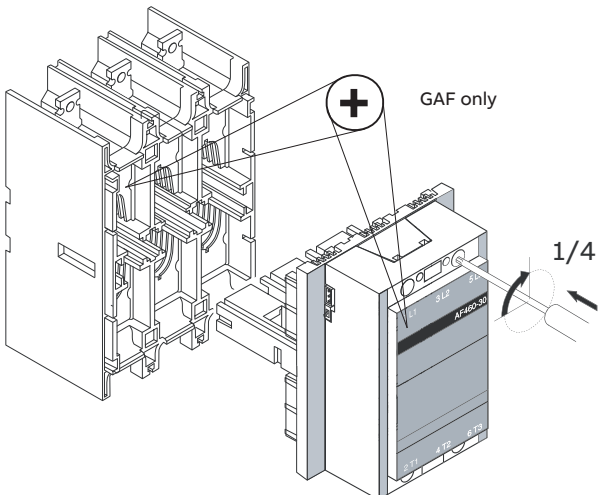
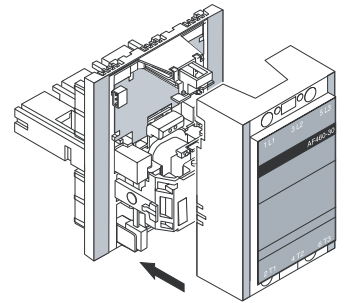
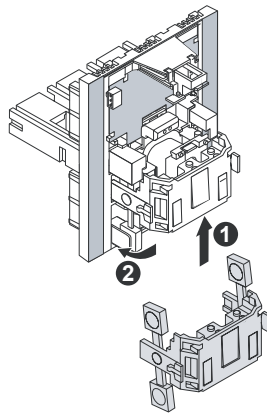
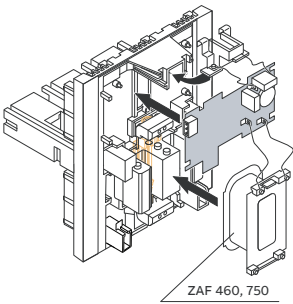
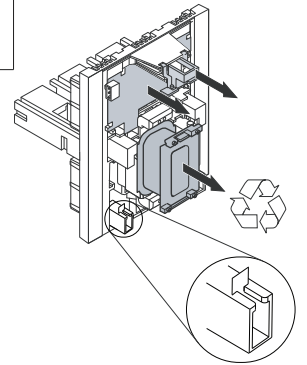
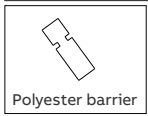
UL Short Circuit Data
AF(S)400, 460, AF(S)580, 750
 Suitable for use on a circuit capable of delivering not more than the max. symmetrical amperes at the max. voltage, **shown in SOC.**







Notice. Be aware of the polyester barrier.
Make sure it's still in place after step 1 and step 2.
Applies for AF580, AF750 and AF1250.



General

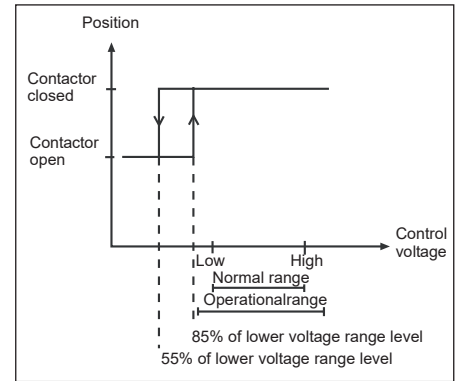
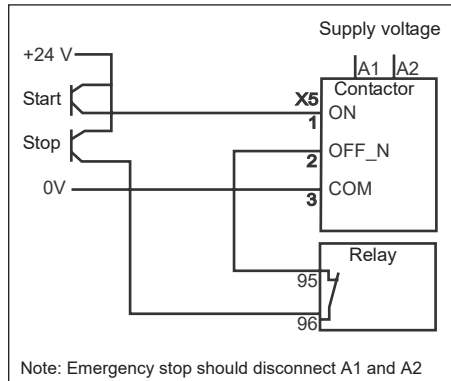
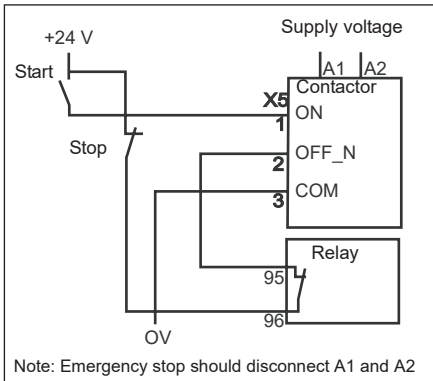
GAF-Contactors are fitted with an electronic coil interface. For a given coil, this interface allows the contactor to accept a very wide voltage range. The contactor can also be controlled by separate logic control signals from for instance a PLC. Selection of control method is done with switch S1. Control by switching voltage on A1 and A2 requires the switch in position B while control with logic signals requires the switch in position A. Use of logic control signals also requires a steady supply voltage on A1 and A2 within the rated voltage range.

Control by switching voltage on A1 and A2 (switch S1 in position B default factory setting)

Operation of GAF-contactors can be done as with conventional contactors by applying and removing voltage on A1 and A2.

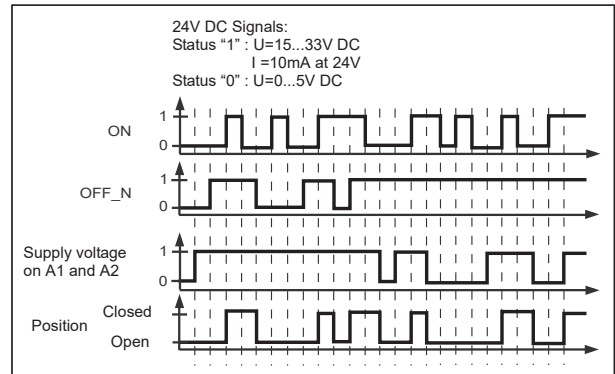
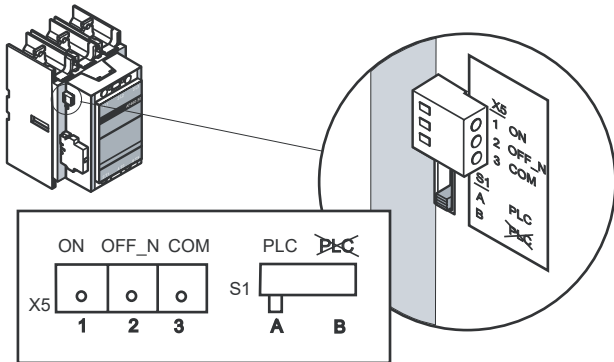
Control with logic control signals (switch S1 in position A)

Use of the logic control signals also requires a steady voltage on terminals A1 and A2 within the operational limits. Minimum pulse length for opening and closing: 7 ms. The function of the logic control signals will no longer be guaranteed when the logic on A1 and A2 is removed. The logic control signals operates with 24 V DC and consist of two control signals (ON and OFF_N) and a common reference (COM). To close the contactor it is enough with a control pulse at ON and to open it a removal of voltage from OFF_N.



When used with switches the wiring can be done according to diagram above.

When used with transistor outputs the wiring can be done according to diagram above.



The functions are described with following diagram. "1" means 24 V DC between the control signal and COM. "0" means no voltage between the control signal and COM. The function is made so that ON and OFF_N can be connected in parallel for a common ON/OFF signal. In addition to these signals the funktion limits for the supply voltage are still valid (closing at 85% and opening at 55%), which is indicated in the diagram by high and low voltage

Notice. This product has been designed for environment A. Use of this product in environment B may cause unwanted electromagnetic disturbances in which case the user may be required to take adequate mitigation measures.

